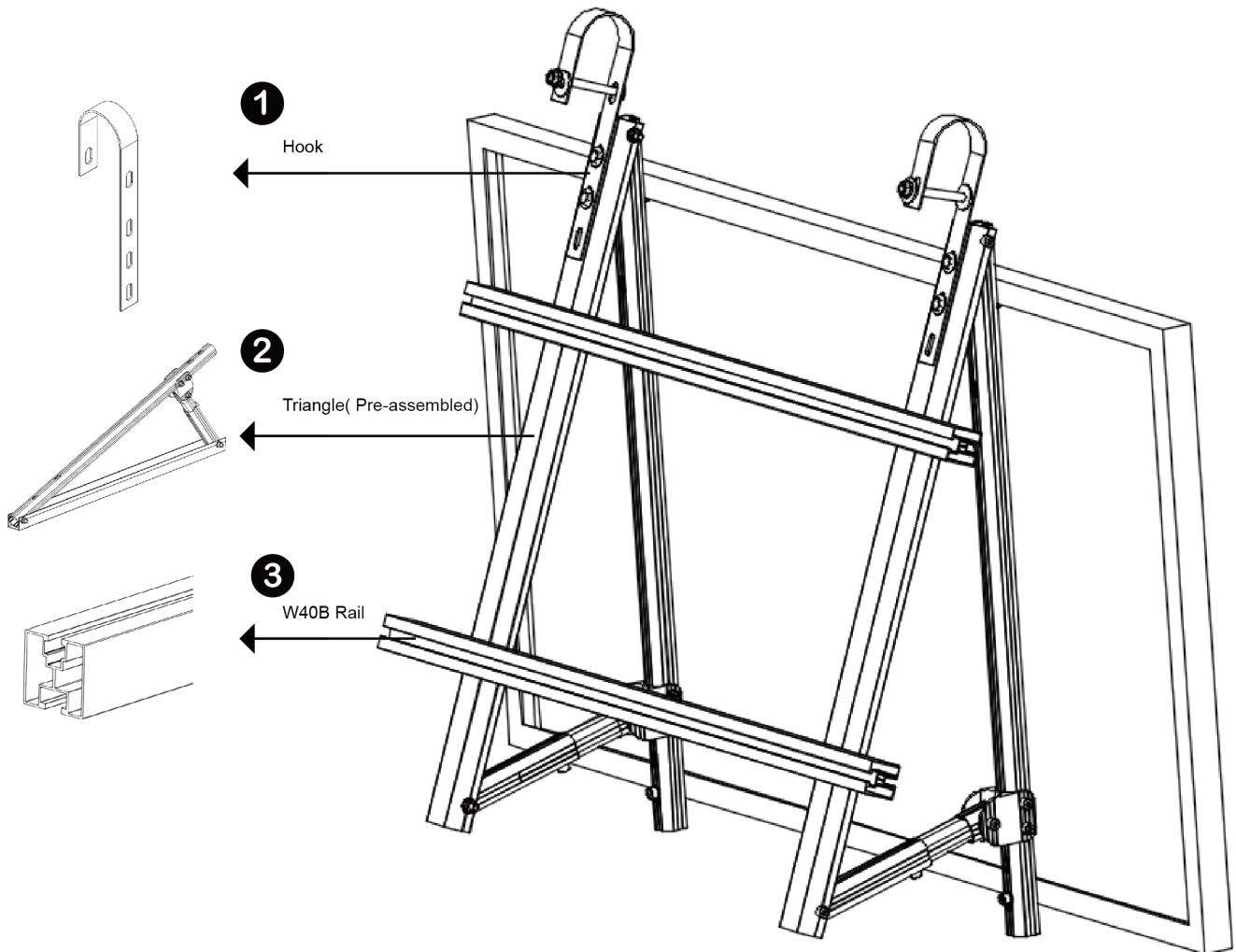


Components



Installation Tools



Wrench (M8,M10)



Marker



Tape measurement

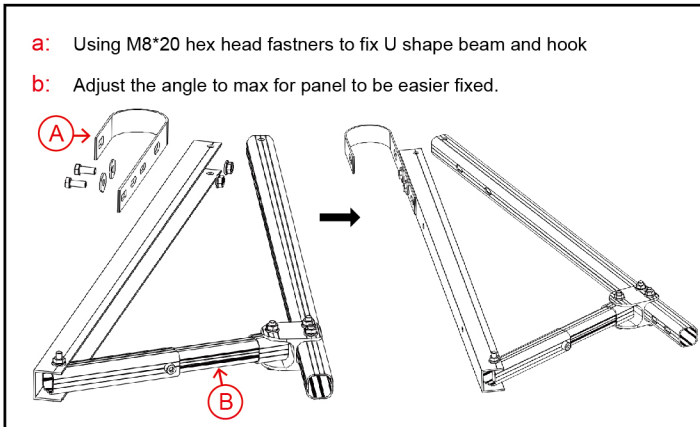


Electrical drill

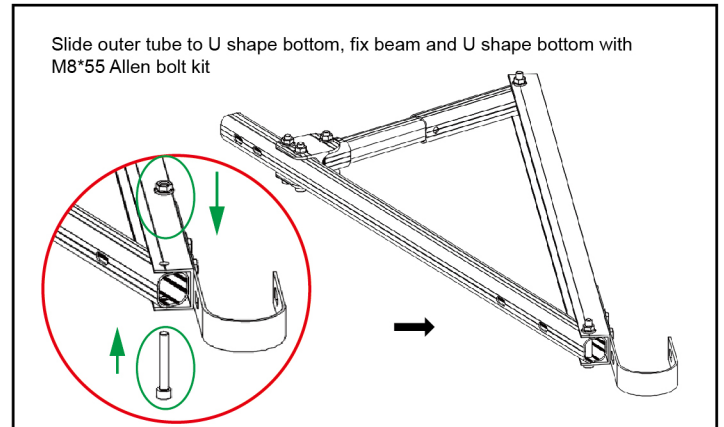


M8 Allen key

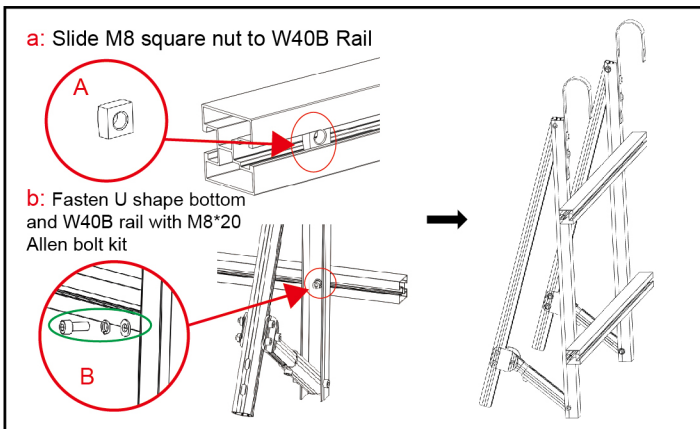
Step 1 Installation-Hook



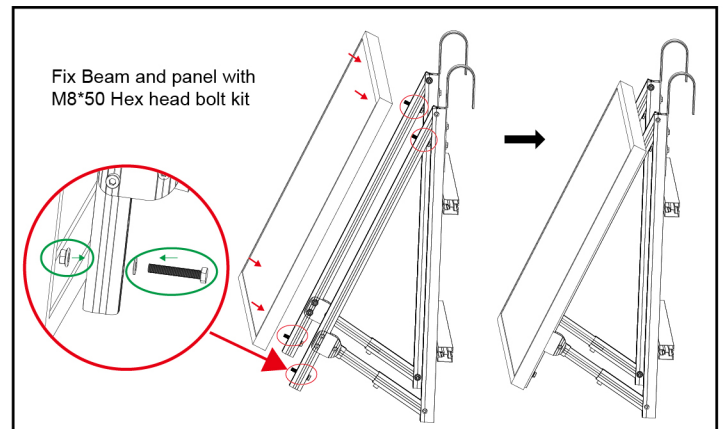
Step 2 Installation- Triangle



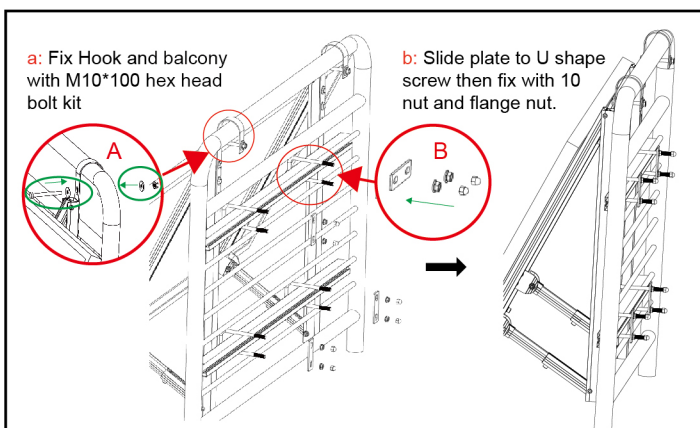
Step 3 Installation-Rail



Step 4 Installation-Panel



Step 5 Vertical balcony



Step 6 Installation-Completed

